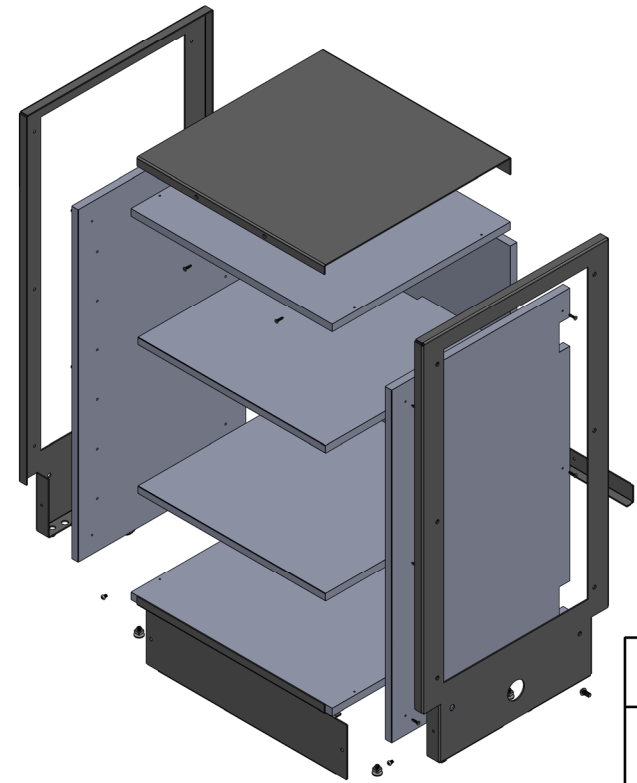
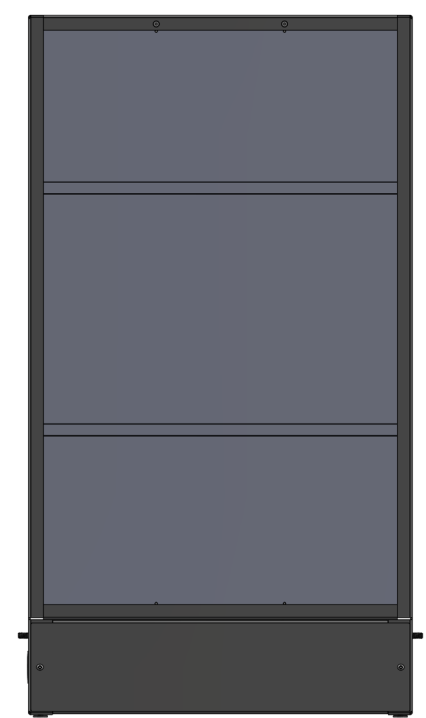
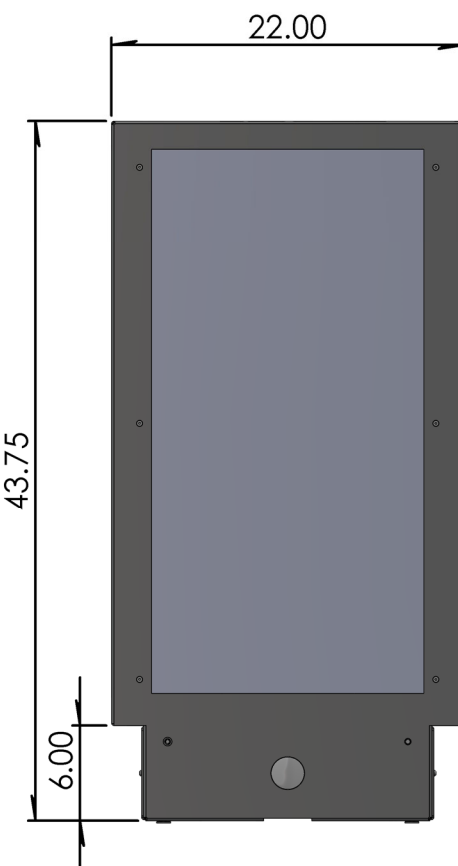
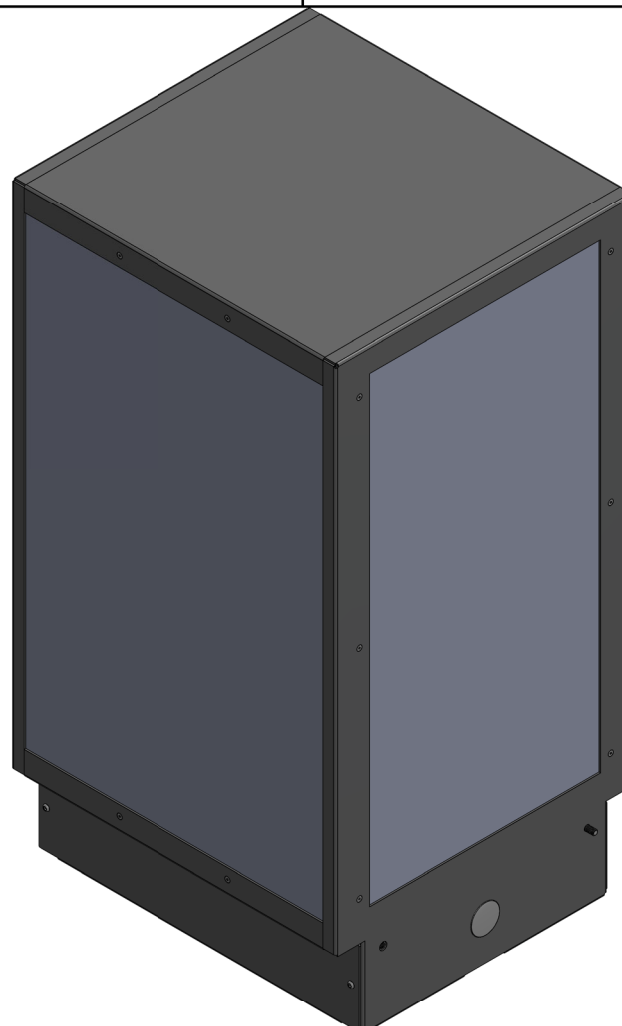


- levelers and fastening holes in base
- kick covers are removable
- steel is powder coated millennium black
- adjustable shelves one side
- 145 pounds



PROPRIETARY AND CONFIDENTIAL
 THE INFORMATION CONTAINED IN THIS
 DRAWING IS THE SOLE PROPERTY OF
 HOFFMAN MANUFACTURING CORP. ANY
 REPRODUCTION IN PART OR AS A WHOLE
 WITHOUT THE WRITTEN PERMISSION OF
 HOFFMAN MANUFACTURING CORP IS
 PROHIBITED.

HOFFMAN MFG CORP		
HS-24 24in Filler Counter Sheet1		
SIZE B	DWG. NO.	REV
SCALE: 1:12	WEIGHT:	SHEET 1 OF 11